

# Under-Couner Waste Bin

TSL.LR16

A standard size wall-mounted waste bin that works seamlessly with The Monolith Basin System and pipeskirts for a sleek apron front.

Finish	Codes
● Matte Black	TSL.LR16.BK
● Gloss White	TSL.LR16.WH
● Brushed Stainless	TSL.LR16.CS

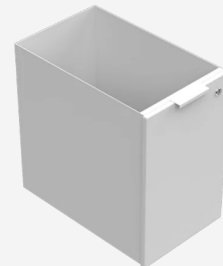
**+ Brushed Stainless**



**+ Matte Black**



**+ Gloss White**



### Included

Waste bin

Key

### Not Included

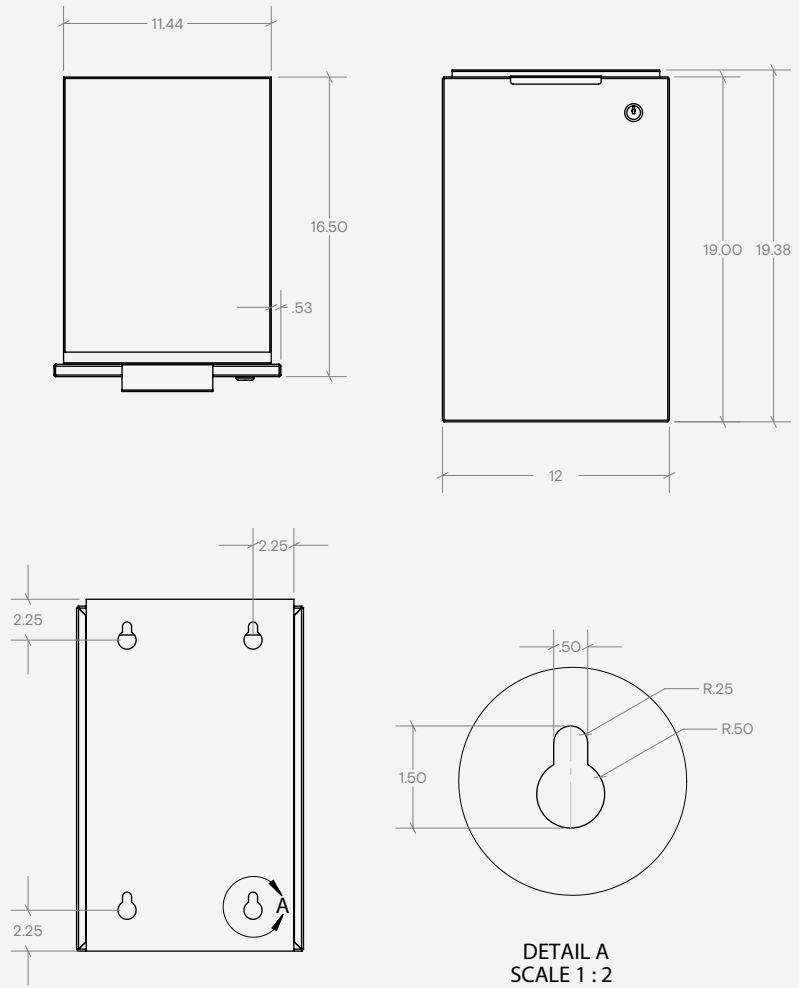
Mounting hardware

Trash can

### Compliance & Certificates

ADA

### + Technical Drawing



### Technical Data

Materials	AISI 304 Stainless steel
Closure	Flush lock
Finishes	Brushed stainless Gloss white powder coat Matte black powder coat

### Installation Requirements

Sink dimensions	Must be mounted with a complementary Monolith sink series
Wall mounting	Hardware not included. Please use hardware appropriate to the installation type.

### Warranty

TSL backs every fixture with a lifetime guarantee against material defect in the finish. For warranty terms and conditions please visit [www.thesplashlab.com/usa/warranty](http://www.thesplashlab.com/usa/warranty)

### Replacement Parts

Please contact The Splash Lab at [info.usa@thesplashlab.com](mailto:info.usa@thesplashlab.com) for further information.