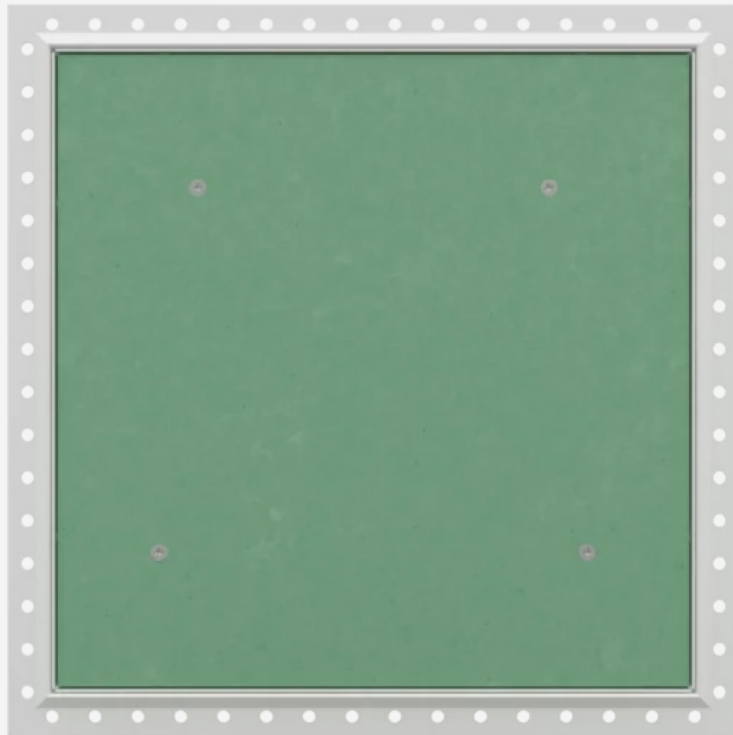


Tile Faced Access Panel

TSL.APT

The TSL.APT is a tile faced access panel with a beaded frame, designed to fit into a structural membrane of a joint-less drywall system.

+ TSL.APT



Technical Data

Material	20 gauge
Color	RAL 9010
Fire Rating	Non-fire rated
Shape	Square
Usage	Walls
Hinge	Concealed pin hinge
Lock	Budget lock, opened by the provided multi-purpose key
Frame	1"
Depth	2 3/8" (Ensure there is enough clearance before installing)
Included Components	3-way utility key, pop-out template

Standard Stock Sizes

This is a custom product and will be manufactured to your exact specification. Please contact info.usa@thesplashlab.com.

Installation Requirements

Make sure the structural opening is at least 1/4" larger than the back of frame size, back of frame size. E.G a 23 5/8" x 23 5/8" panel size requires a 23 7/8" x 23 7/8" hole size.

Open the panel using the budget lock key provided and place it into the aperture without opening the door.

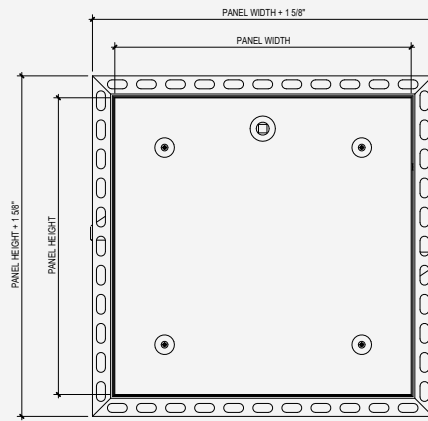
Tighten the device via the fixing screw behind the door leaf to clamp on the back of the drywall/cement board (The device covers boards from 3/8" to 1 1/4")

When tiling, ensure the tiles do not overhang the frame or door as this will cause damage to the tiles.

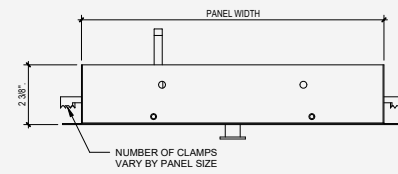
Included

Tile Faced Access Panel
TSL.APT

+ Technical Drawing

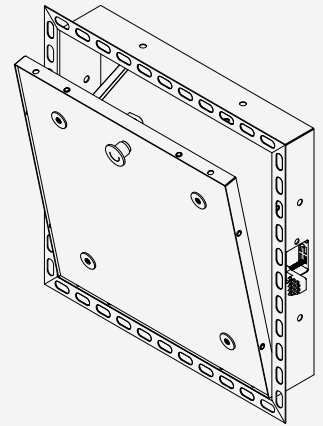


FRONT ELEVATION



PLAN

ISOMETRIC



Warranty & Replacement Parts

TSL backs every accessory with a lifetime guarantee against material defect.

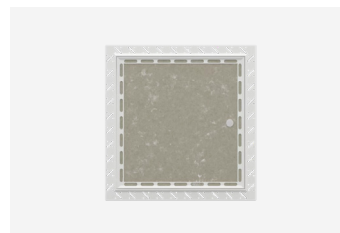
For warranty terms and conditions please visit www.thesplashlab.com/usa/warranty

For replacement parts, please contact The Splash Lab at info.usa@thesplashlab.com for further information.

Related Products



Metal Faced Access Panel
TSL.AP.M



Drywall Faced Access Panel
TSL.AP.D