

Drywall Faced Access Panel

TSL.AP.D

The TSL.AP.D is a drywall faced access panel with a beaded frame, designed to fit into a structural membrane of a joint-less drywall + ceiling system.

+ TSL.AP.D



Technical Data

Material	20 gauge
Color	RAL 9010
Fire Rating	Non-fire rated or 1 hour fire rated available
Shape	Square
Usage	Interior walls & ceilings
Hinge	Concealed pin hinge
Lock	Budget lock, opened by the provided multi-purpose key
Frame	1"
Depth	2 3/8" (Ensure there is enough clearance before installing)
Included Components	3-way utility key
Access panel infill	Cement board infill capable of supporting a weight of 6.55 lbs per square foot

Nominal Sizes (H x W)	Structural Opening Size	FF Clamp Quantity	Weight (lbs)
150x150 (5.9"x5.9")	155x155 (6.1"x6.1")	2	2.4
200x200 (7.9"x7.9")	205x205 (8.1"x8.1")	2	2.9
300x300 (11.8"x11.8")	305x305 (12"x12")	2	4.2
450x450 (17.7"x17.7")	455x455 (17.9"x17.9")	4	7.7
550x550 (21.7"x21.7")	555x555 (21.9"x21.9")	4	9.9
600x300 (23.6"x11.8")	605x305 (23.8"x12")	4	6.4
600x600 (23.6"x23.6")	605x605 (23.8"x23.8")	4	11.2

Custom sizes available. Please contact info.usa@thesplashlab.com

Installation Requirements

Make sure the structural opening is at least 1/4" larger than the back of frame size, back of frame size. E.G a 23 5/8" x 23 5/8" panel size requires a 23 7/8" x 23 7/8" hole size.

Open the panel using the budget lock key provided and place it into the aperture without opening the door.

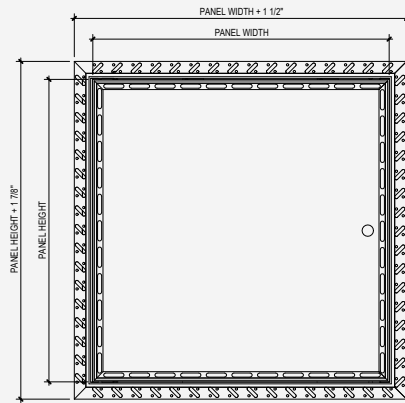
Tighten the device via the fixing screw behind the door leaf to clamp on the back of the drywall/cement board (The device covers boards from 3/8" to 1 1/4")

Apply tape and joint filler, at the edges of the panel to the drywall, sand and paint.

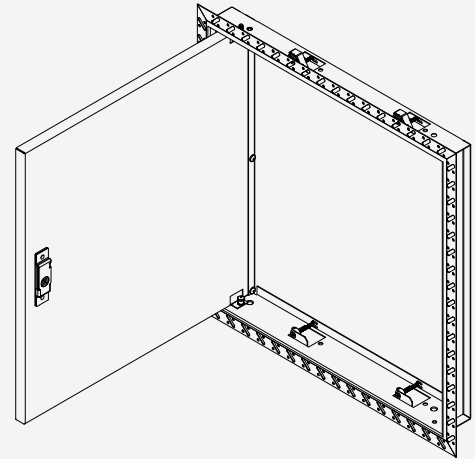
Included

Drywall Faced Access Panel
TSL.AP.D

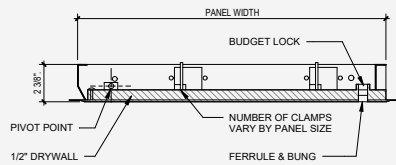
+ Technical Drawing



FRONT ELEVATION



ISOMETRIC



PLAN

Warranty & Replacement Parts

TSL backs every accessory with a lifetime guarantee against material defect.

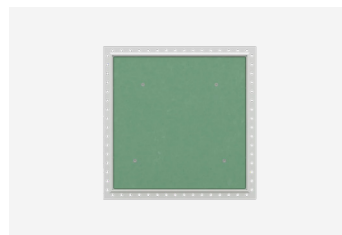
For warranty terms and conditions please visit www.thesplashlab.com/usa/warranty

For replacement parts, please contact The Splash Lab at info.usa@thesplashlab.com for further information.

Related Products



Metal Faced Access Panel
TSL.AP.M



Tile Faced Access Panel
TSL.AP.T