

Radius Coat Hook

TSL.974

The coat hook is made from AISI 304 type stainless steel in a PVD finish.

Finish	Codes
● Black	TSL.974.BK
● Brass	TSL.974.BR
● Satin	TSL.974.CS
● Copper	TSL.974.CP
● Bronze	TSL.974.BZ

+ Satin



+ Black



+ Brass



+ Copper



+ Bronze

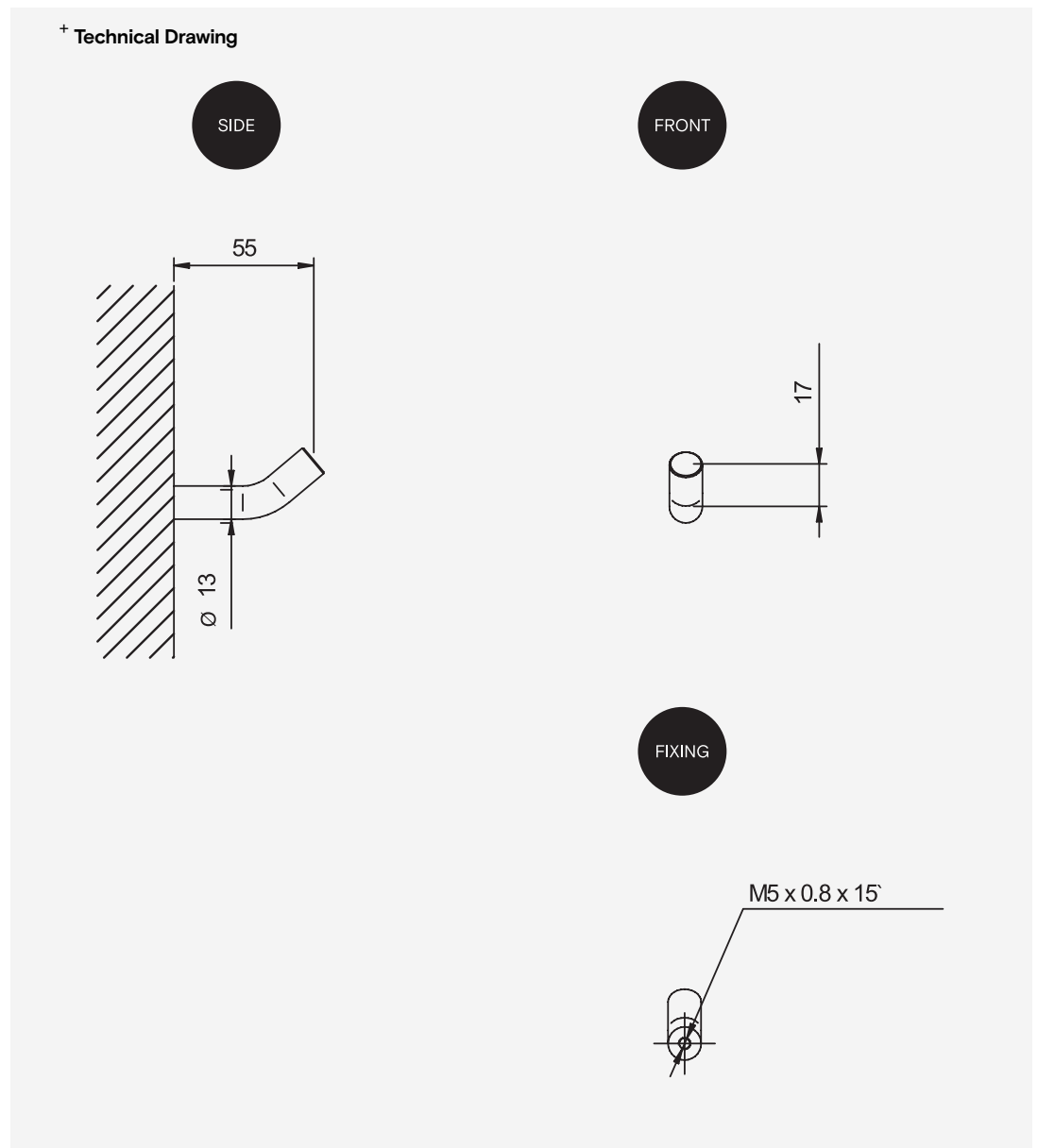


Compliance & Certificates

CE

UL

RoHS



Technical Data

Weight	140g
Stainless steel grade	AISI 304

Installation Requirements

Substrate	Must be fixed to a hard surface. Plasterboard is not suitable. Fixings included.
-----------	---

Warranty

TSL backs every accessory with a lifetime guarantee against material defect in the finish.

For warranty terms and conditions please visit www.thesplashlab.com/usa/warranty

Replacement Parts

Please contact The Splash Lab at info.usa@thesplashlab.com or +1 310 410 5008 for further information.