

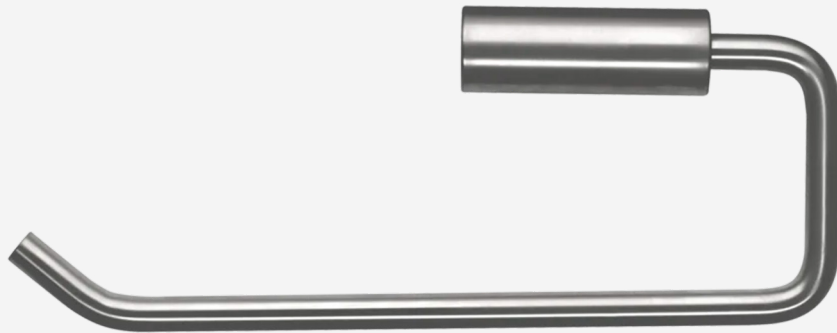
# Double Toilet Roll Holder

TSL.46

The TSL.46 is a double toilet roll holder with a concealed fixing, constructed from stainless steel.

Finish	Codes
● Black	TSL.46.BK
● Brass	TSL.46.BR
● Satin	TSL.46.CS
● Copper	TSL.46.CP
● Bronze	TSL.46.BZ

+ Satin



+ Black



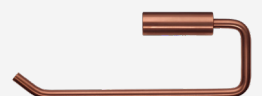
+ Brass



+ Copper



+ Bronze



## Included

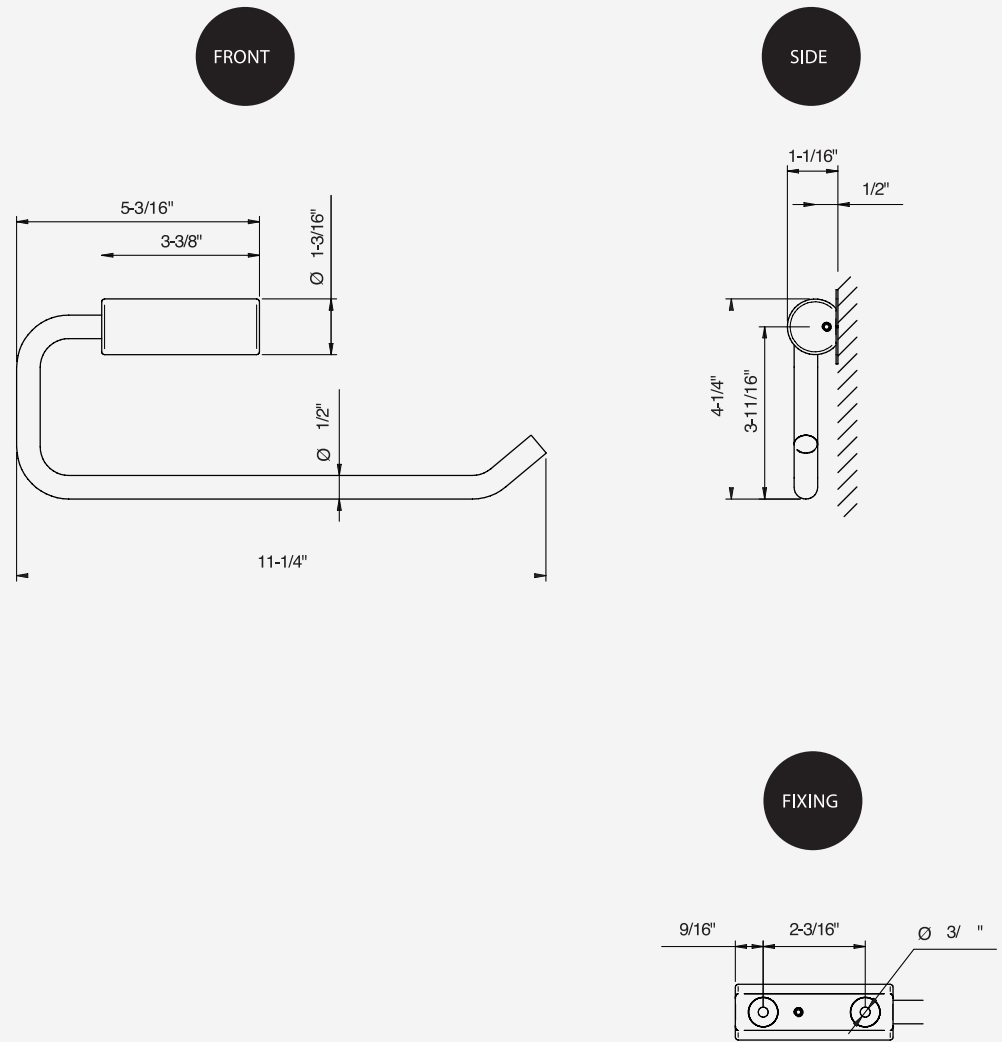
Double toilet roll holder assembly

Wall mounting bushes

Fixing template

Allen key

## + Technical Drawing



## Technical Data

Weight	1 lb 14 oz
Stainless steel grade	AISI 304
Capacity	2 rolls (Max size - 5 1/8" dia x 4 5/16" width x 13/8" dia core)

## Installation Requirements

Substrate	Must be attached to a stud, backing plate or blocking.
-----------	--

## Warranty

TSL backs every accessory with a lifetime guarantee against material defect in the finish.

For warranty terms and conditions please visit [www.thesplashlab.com/usa/warranty](http://www.thesplashlab.com/usa/warranty)

## Replacement Parts

Please contact The Splash Lab at [info.usa@thesplashlab.com](mailto:info.usa@thesplashlab.com) or +1 310 410 5008 for further information.