

TSL.420

deck mounted soap dispenser

installation + maintenance

+
THE
SPLASH
LAB

contents

3	Safety and Warnings
4	Box Contents
5	Diagram
6	Technical Data
8	Before You Install
9	Dimensions
10	How To Install
13	Commissioning & Operation
14	Cleaning & Soap
15	Maintenance & Refilling
16	Troubleshooting
17	Warranty
18	Contact Details

TSL.420

Read and save these instructions

WARNING 

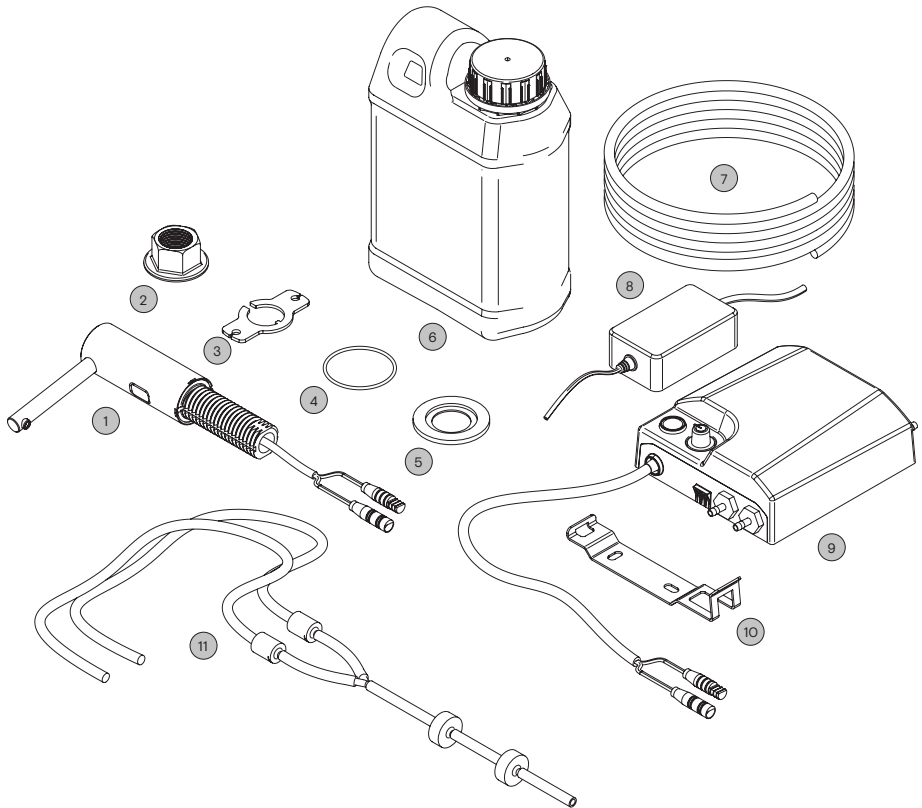
- + Use this unit only in the manner intended by the manufacturer. If you have questions, contact the manufacturer (see back page for more details)

For more information contact:

Tel: +1 310 410 5008

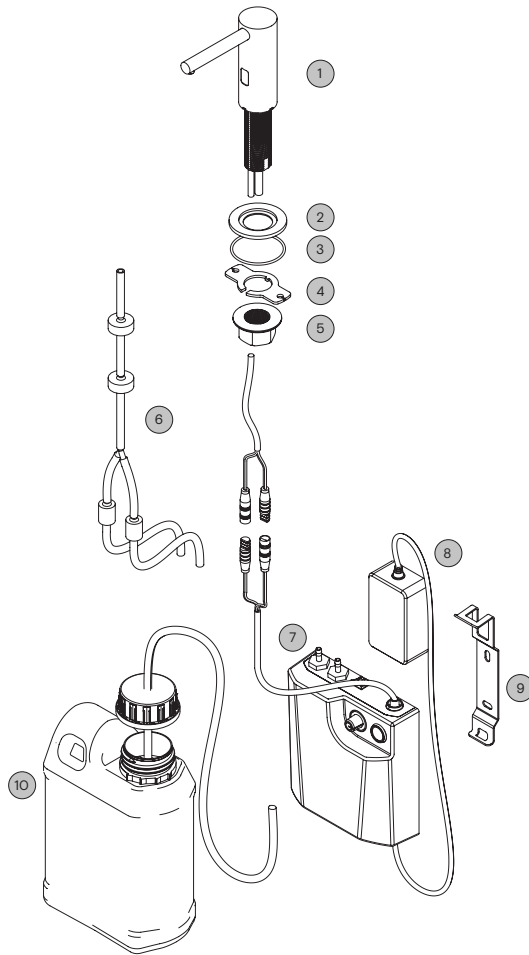
info.usa@thesplashlab.com

box contents



- 1 Dispenser head assembly
- 2 Fixing nut
- 3 Anti rotation washer
- 4 O ring
- 5 Base collar
- 6 Soap reservoir
- 7 Soap supply pipe - 3 metres
- 8 Power Supply Unit (PSU)
- 9 Soap foamer pump unit
- 10 Pump unit mounting bracket
- 11 Soap foaming chamber pipeset

diagram



1 Dispenser head assembly

2 Base collar

3 O ring

4 Anti rotation washer

5 Fixing nut

6 Soap foaming chamber pipeset

7 Soap foamer pump unit

8 Power Supply Unit (PSU)

9 Pump unit mounting bracket

10 Soap reservoir

technical data

Overview

The TSL.420 is a stainless steel deck mounted soap dispenser, available in a variety of coloured finishes.

Codes	Power	Finishes
TSL.420.CS	Mains	Satin
TSL.420.CP	Mains	Copper
TSL.420.BK	Mains	Black
TSL.420.BR	Mains	Brass
TSL.420.C	Mains	Chrome

Compliance

CE PSU conforms to RoHS, REACH, EN15091

Related Documents

Datasheet thesplashlab.com/usa/downloads
Warranty Document thesplashlab.com/usa/warranty

technical data

Related Products

Soap dispenser	TSL.410 Pump action deck mounted soap dispenser.
Sensor operated taps	TSL.960 Deck mounted tap TSL.990 Deck mounted tap

Technical Data

Weight	2.2 lbs
Material	AISI 304 Stainless Steel
Power supply	110V - 230V ac; 50/60Hz
Output	1000mA
Standby power	0.1W
Standard discharge	0.03 oz
Coating type	PVD (colours only)
Recommended soap type	Foam soap - <10cPS viscosity. Not suitable for liquid soaps, alcohol gels or hand sanitisers
Soap reservoir capacity	0.26 gallon (standard) 1.32 gallon (optional remote feed)
Sensor range	Preset 2 3/4" (adjustable using seperate controller if required)
Max range	15 3/4"
Min range	2 3/8"
Sensor type	Infrared
Response time (max)	< 300ms
Security cut-off time	30 seconds
Connection to sensor cable	5'-7"
Connection to fused supply	5'-10"

before you install

Caution



- + The TSL.420 parts must be put together correctly before installation.
- + All parts must be installed correctly before powering up the system.

Access Requirements

Soap reservoir must be accessible for installation, commissioning and for ongoing/routine maintenance.

Front access: If the underside of the wash basin is tiled in, or is fixed onto a vanity unit, a front hatch or panel(s) must be constructed below the wash basin for ongoing maintenance access.

Installation Requirements

1. The soap dispenser is intended to be mounted in a countertop or basin adjacent to a tap. As a guide, The Splash Lab recommends a minimum distance of 4" between the dispenser and a tap.
2. The TSL.420 is supplied with a single-feed reservoir to be connected with a flexible feed-pipe to the dispenser. If a multifeed system is required, this needs to be specified separately.

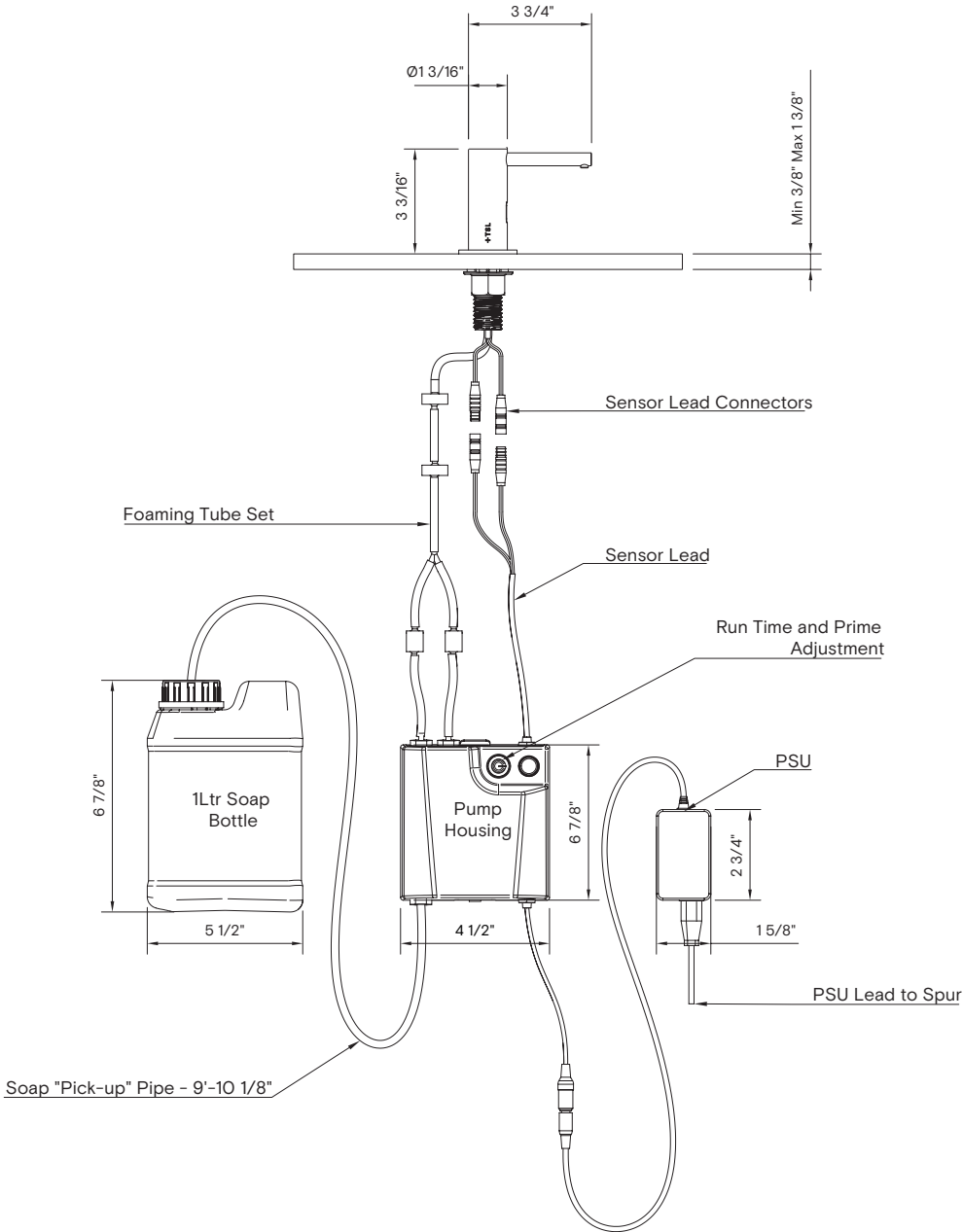
Maximum countertop thickness 1 3/8"

Access requirements Power supply units and pump units must be accessible for initial installation & commissioning and for ongoing/routine maintenance.

Washroom layout Soap pump and reservoir must be accessible for installation, commissioning and ongoing maintenance.

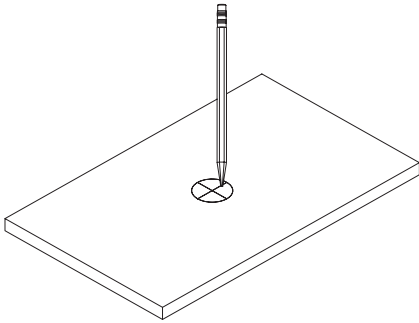
Power supply 3am fused spur to be connected to IP68 transformer supplied. It is not recommended that sensor-operated soap dispensers are connected to an occupancy circuit.

technical drawing

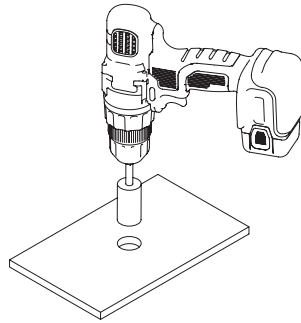


how to install

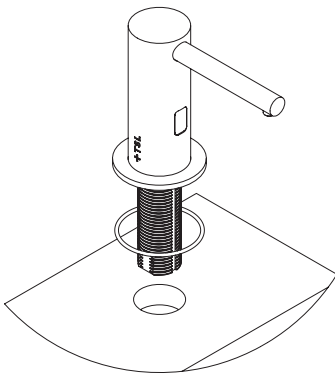
Soap Installation



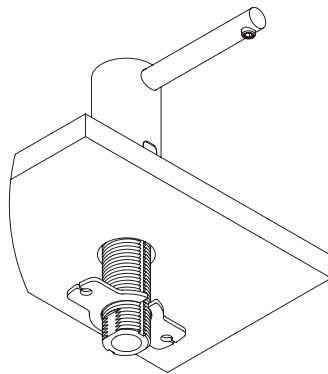
1
Mark soap hole centres onto the surface for installation.



2
Drill 1" diameter hole in countertop.



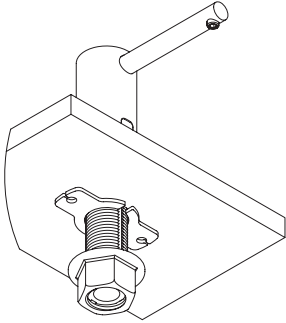
3
Insert dispenser through hole in basin or countertop with the stainless steel bezel above the counter. Ensure the rubber O-ring is placed onto the spigot before inserting the unit through the countertop.



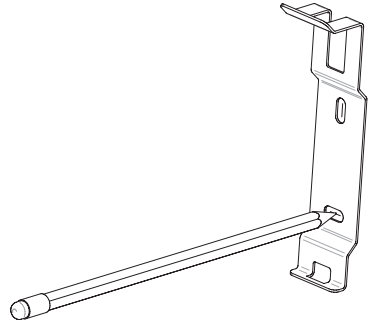
4
Fix anti-rotation washer from below the basin.

how to install

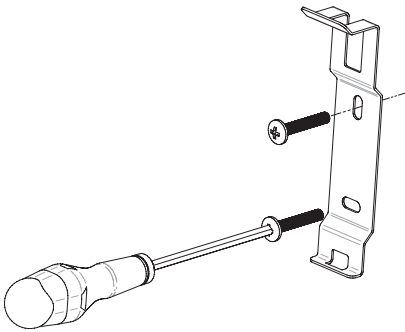
Soap Installation



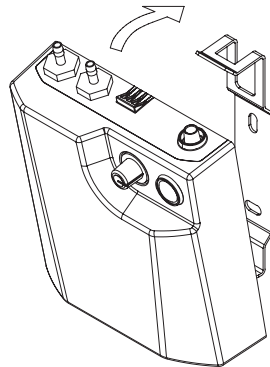
5
Fit the fixing nut, and ensure that this is secure using a spanner.



6
Mark wall in desired location for pump mounting bracket .



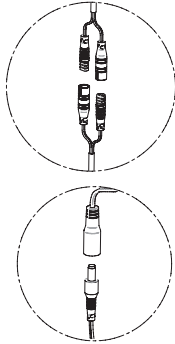
7
Fit the pump bracket using appropriate fixings.



8
Fit the soap foamer pump unit to the bracket

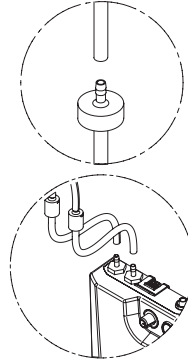
how to install

Soap Installation



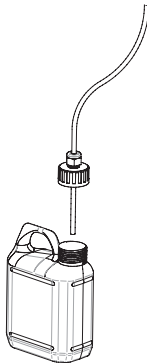
9

Connect the sensor cables from the dispenser head to the corresponding cables from the soap foamer pump, and the power supply cables.



10

Connect the soap foamer pipeset to the dispenser head, and the two inlet pipes to 2 pipe fittings on the top of the soap foamer unit.



11

Connect the soap pick-up pipe to the bottom of the soap foamer unit, and fit the opposite end of the pipe to the soap reservoir.

12

Once all nuts are tightened, test the soap dispenser and allow soap to be dispensed.

WARNING: Ensure all connections are fully tightened to ensure full seal of the soap.

commissioning

IMPORTANT

The dispenser is only to be used with a compatible foam soap, with a viscosity of less than 10cPs. It is not suitable for use with liquid or pearl soap, alcohol gels or hand sanitisers.

Adjusting the soap dispensing volume:

1. Switch on the power supply at the fused spur or socket.
2. Turn on the pump by turning the dispense dial clockwise.
3. Depress and hold the 'Prime' button until soap is dispensed.
4. Activate the dispenser by placing your hand underneath the sensor to check the volume of the soap that is dispensed from the nozzle.
5. The volume of soap dispenses can be adjusted by turning the 'Dispense' dial clockwise to increase the soap volume, or anticlockwise to reduce the soap volume.

operation

- + The user places their hands within detection range of the sensor to activate the soap dispenser.
- + The motor will start and soap is dispensed onto the user's hands.
- + The motor will stop when the user's hands are removed from the detection range.

cleaning

- + Take extra care when cleaning decorative surfaces.
- + For surface cleaning of the tap use ONLY soap and water, then wipe dry with a clean cloth or towel.
- + DO NOT use steel wool or cleaning agents containing alcohol, acid, abrasives or the like.
- + Use of any prohibited cleaning or maintenance products or substances could damage the surface of the tap.
- + When cleaning bathroom tiles, the taps should be protected from any splattering of harsh cleansers.

All grades of stainless steel will stain or discolour if due care and attention is not taken. The surface must be regularly cleaned to ensure a long service life of the tap.

Use a soft cloth or sponge with a mild solution of soapy water as part of the regular washroom janitorial routine. Do not use abrasive or cream cleaners as these will damage the surface finish.

If further information is required, contact The Splash Lab technical team for more detailed stainless steel care guidelines.

soap

A good quality foam soap of viscosity <10 cPs units should be used. Hand cleaners containing abrasive particles should not be used as this will cause damage to the pump mechanism. The dispenser mechanism is not compatible with alcohol gels or hand sanitisers.

maintenance

- + The soap dispenser should be serviced on a regular basis to ensure long service life of the unit.
- + Isolate the unit from the power supply before any servicing or maintenance work is carried out.
- + The dispenser should be activated at least once a day to ensure that soap does not congeal in the pipework.

refilling

Single feed reservoir

1. Unscrew the reservoir from the connector cap.
2. Fill the reservoir with foam soap of viscosity in the range <10 cPs.
3. Screw reservoir onto the connector,
4. Press and hold the prime button until soap is dispensed from the spout.

Multi-feed pipe system

1. Remove the support clips and pipes from the neck of the soap reservoir,
2. Fill reservoir with soap until desired level is reached.
3. Replace the feed pipes in the reservoir, ensuring the ends of the soap pipes are beneath the surface of the soap.
4. Alternatively, the feed pipes can be inserted into a replacement container of soap.
5. Press and hold the prime button until soap is dispensed from the spout

The level of soap in the reservoirs should be checked regularly to ensure the soap feed pipes are always dipped into the soap. If it does happen that the soap level is allowed to fall below the minimum required, there will be an airlock introduced into the pipe, which will then need to be re-primed. Priming of the system is achieved by pressing the prime button on the pump unit.

troubleshooting

Problem	Cause	Solution
Dispenser does not run	Power Failure to dispenser	Check mains supply to PSU and reconnect if necessary
		Check output from PSU, and replace PSU if there is zero voltage
		Check that the power supply cable is correctly connected to the power cable on the pump unit
	Sensor cables are disconnected	Check that the sensor cables are fully connected to the corresponding cables from the foam pump unit
Dispenser can be heard to run, but no soap is dispensed	Soap pick-up pipe is not fully immersed in the soap	Reconnect the soap pipe, ensuring the end is fully immersed in the soap
	Soap reservoir is empty	Replace or replenish the soap reservoir
	Leaks in the pipework	Inspect all the pipework and connection for air leaks and ensure all connections are pushed fully together
Soap foam is not of the desired consistency	Soap / air ratio is not correctly set for the installation	Adjust soap / air ratio using the adjuster screw through the back plate of the pump housing (remove the pupm unit from the wall bracket to make the change)
Dispenser runs constantly	Sensor is detecting an object or reflection	Remove the obstruction or cause of reflection

warranty

The Splash Lab will replace necessary parts, free of charge, if they are defective from the manufacturer. The Splash Lab guarantees all of its products against manufacturing defects under the terms and conditions listed below

Faucets TSL backs every faucet with a lifetime guarantee against material defect.

Not Covered

- Components subject to wear and tear.
- Items or parts that are damaged or not working properly due to misuse, negligence or improper maintenance.
- Improper installation or installation by a non-licensed technician.
- Failure from external causes such as physical damage; exposure to adverse or hazardous chemicals or other substances; use of reactive cleaning agents and/or harsh chemicals, or acts of nature.
- Stains on natural finishes, such as brass or stainless steel, that have been exposed to the natural environment or improperly maintained.
- Parts that have been modified.
- Moving parts installed in high-traffic areas. The Splash Lab offers customized warranty options for high-traffic areas; please contact TSL for details.
- Installation of replacement parts or labor costs.

Installation Requirements

This product must be installed by licensed technicians following the steps in the instruction guide provided. Altering or modifying any components of any product will void the manufacturer's warranty. If the recommended pressure and temperature are exceeded or reduced, the warranty is voided.

Maintenance Requirements

Never use abrasive sponges or products with abrasive substances such as chloride acid, ammonia, acetone, vinegar or, bleach. The usage of these products can cause permanent damage and will void the manufacturer's warranty.

If You Have a Claim

Defective products must be sent, shipping prepaid, to The Splash Lab with a copy of this warranty document and the purchase invoice included. Replacement products will be sent, shipping prepaid, to the address provided. If the cost of the replacement parts exceeds the purchase price of the product(s) the Splash Lab will reimburse the cost of the original items.

contact



General information

info.usa@thesplashlab.com

310 410 5008

20809 Higgins Ct

Torrance, CA 90501

Technical support

info.usa@thesplashlab.com

For further information visit:

www.thesplashlab.com/usa



Pavilion View, Newby Rd. Stockport SK7 5DA
T +44 (0) 161 482 7000
F +44 (0) 161 482 7050
info@thesplashlab.com
thesplashlab.com