

TSL.410

Deck-Mounted Manual Soap Dispenser

installation + maintenance

+
THE
SPLASH
LAB

contents

3	Safety and Warnings
4	Box Contents
5	Diagram
6	Technical Data
8	Before You Install
9	Dimensions
10	How To Install
14	Commissioning & Operation
15	Troubleshooting
16	Cleaning
17	Maintenance
18	Warranty
19	Contact Details

TSL.410

Read and save these instructions

WARNING 

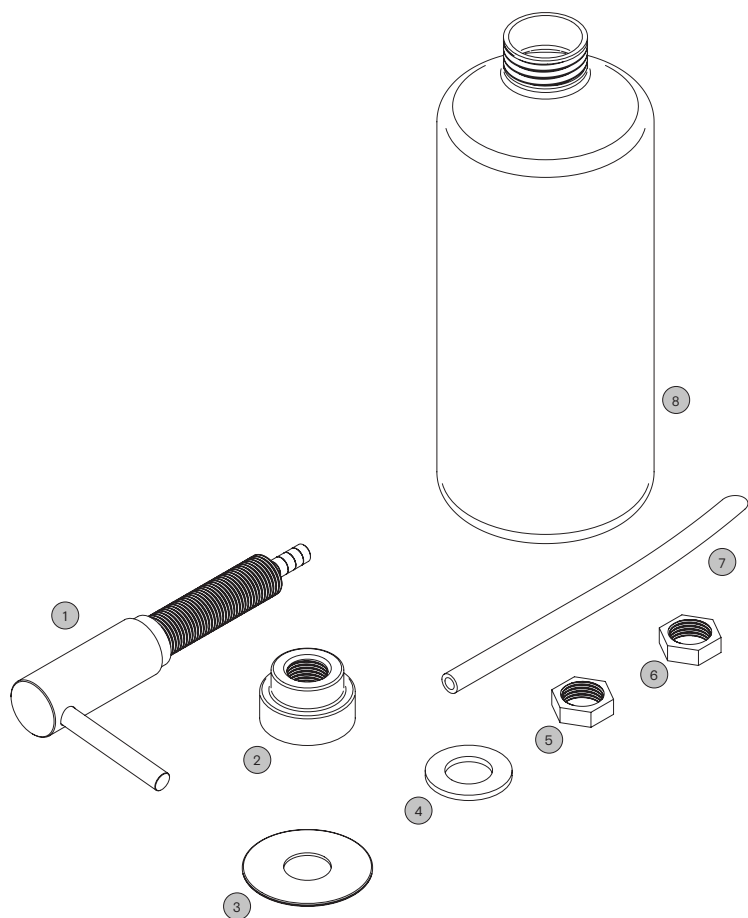
- + Use this unit only in the manner intended by the manufacturer. If you have questions, contact the manufacturer (see back page for more details).

For more information contact:

Tel: +1 310 410 5008

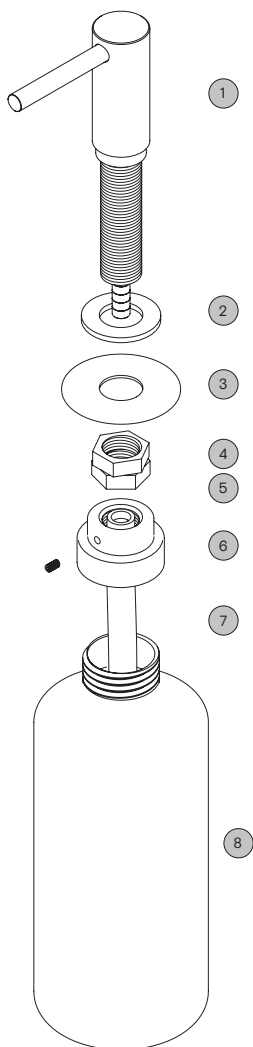
info.usa@thesplashlab.com

box contents



- | | | |
|---|------------------|-------|
| 1 | Body | _____ |
| 2 | Bottle connector | _____ |
| 3 | Flat washer | _____ |
| 4 | Base collar | _____ |
| 5 | Fixing nut | _____ |
| 6 | Fixing nut | _____ |
| 7 | Soap feed pipe | _____ |
| 8 | Soap reservoir | _____ |

diagram



1	Body	6	Bottle connector
2	Base collar	7	Soap feed pipe
3	Flat washer	8	Soap reservoir
4	Fixing nut		
5	Fixing nut		

technical data

Overview

The TSL.410 is a stainless steel deck mounted soap dispenser, available in a variety of coloured finishes with a sleek and minimalist design.

Codes	Power	Finishes
TSL.410.CS	Pump-action	Brushed Stainless Steel
TSL.410.CP	Pump-action	Brushed Copper
TSL.410.BK	Pump-action	Brushed Black
TSL.410.BR	Pump-action	Brushed Brass
TSL.410.BZ	Pump-action	Brushed Bronze

Light Reflectance Values

Brushed Stainless Steel	58
Brushed Copper	19
Brushed Black	3
Brushed Brass	40
Brushed Bronze	17

Technical Data

Body Material	AISI 304 Stainless Steel
Coating Type	PVD (colours only)
Weight	1.5 lbs
Pump Type	Manual piston-type
Standard Discharge	0.03 oz
Recommended Soap Type	Liquid soap - <100 - 3800cPS viscosity. Not suitable for foam soaps, alcohol gels or hand sanitisers.
Soap Reservoir Capacity	0.26 gallons (standard) 1.32 gallons (optional remote feed)

technical data

Related Products

Soap Feed Systems	LST1 - 1.32 gallons reservoir with 78.74 inch feed pipe
	LST1 - 1.32 gallons reservoir with 2 x 6'-6 3/4" feed pipe
	LST1 - 1.32 gallons reservoir with 3 x 6'-6 3/4" feed pipe
	LST1 - 1.32 gallons reservoir with 4 x 6'-6 3/4" feed pipe
Sensor Operated Taps	TSL.960 Deck mounted tap
	TSL.990 Deck mounted tap

Related Documents

Warranty	thesplashlab.com/usa/warranty
----------	---

before you install

Caution



- + The TSL.410 parts must be put together correctly before installation.
- + All parts must be installed correctly before powering up the system.

Access Requirements

Soap reservoir must be accessible for installation, commissioning and for ongoing/routine maintenance.

Front access: If the underside of the wash basin is tiled in, or is fixed onto a vanity unit, a front hatch or panel(s) must be constructed below the wash basin for ongoing maintenance access.

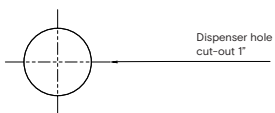
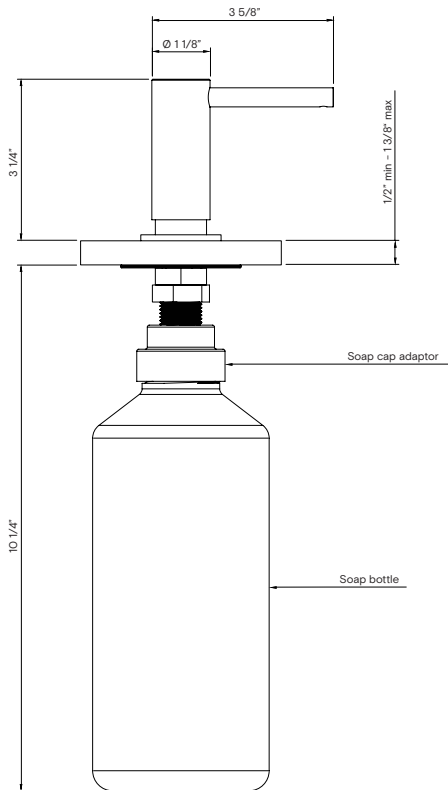
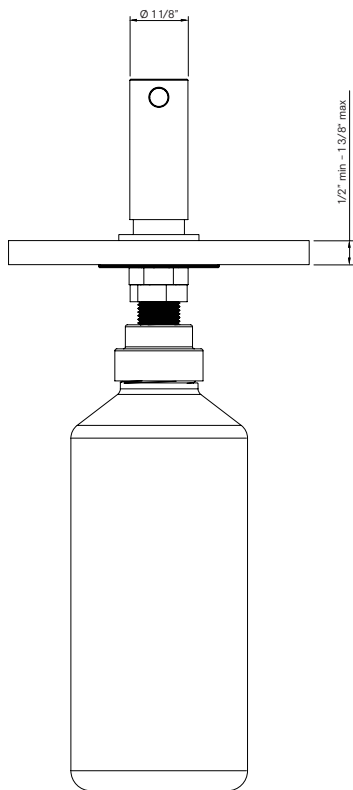
Installation Requirements

1. The soap dispenser is intended to be mounted in a countertop or basin adjacent to a tap. As a guide, The Splash Lab recommends a minimum distance of 4 inches between the dispense and a tap.
2. The TSL.410 is supplied with a single-feed reservoir fitted to the underside of the dispenser. If a multifeed system is required, this needs to be specified separately.

technical drawing

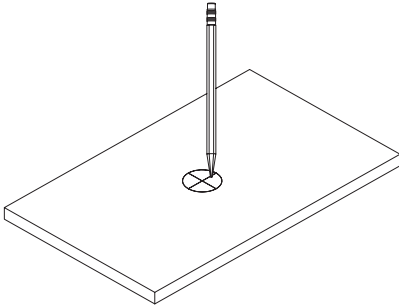
FRONT

SIDE



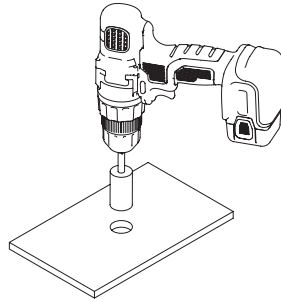
how to install

Soap Installation



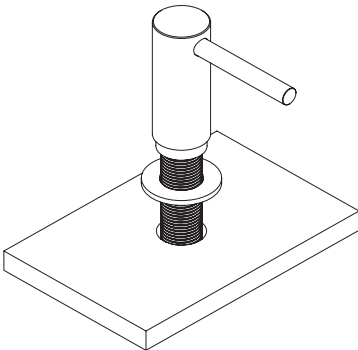
1

Mark soap hole centers onto the surface for installation.



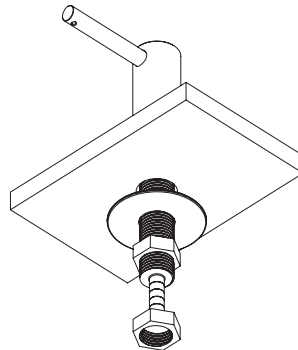
2

Drill 1" diameter hole in countertop.



3

Insert dispenser through hole in basin or countertop with the stainless steel bezel above the counter.

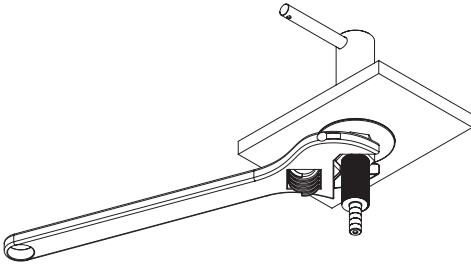


4

Slide washer over mounting shank and then tighten the fixing nut by hand.

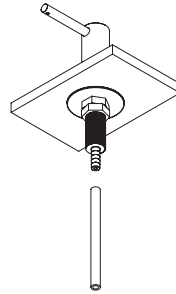
how to install

Soap Installation



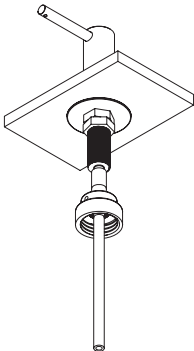
5

Assemble the 2nd nut on the mounting shank and then tighten this against the 1st nut. (Use 2 spanners for this)



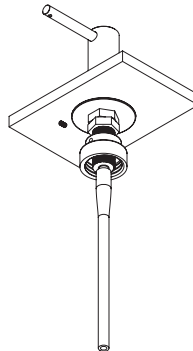
6

Connect the soap feed pipe to the spigot below the countertop



7

Screw the bottle connector onto the mounting shank so that 1 turn of thread is visible below the connector.

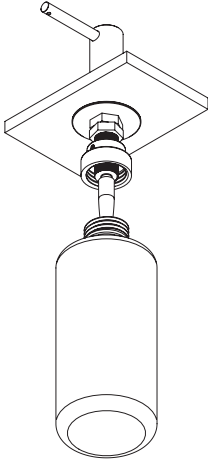


8

Tighten the locking grub screw using a 3/32" hex wrench.

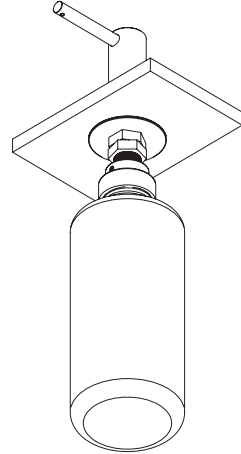
how to install

Soap Installation



9

Screw the reservoir onto the connector.



10

Ensure all parts of the product are tight and do not move unintentionally.

11

Once all nuts are tightened, use the pump action to dispense soap.

WARNING: Ensure all connections are fully tightened to ensure full seal of the soap dispenser.

commissioning

- + Fill the reservoir with liquid soap of viscosity in the range of 100 - 3800 cPs
- + Screw the reservoir onto the connector
- + Pump the dispenser head until soap is dispensed from the spout

operation

The dispenser is depressed by the user, which draws a measured amount of soap (1ml) from the reservoir and is then dispensed from the spout onto the user's hands.

cleaning

- + Take extra care when cleaning decorative surfaces.
- + For surface cleaning of the soap dispenser use ONLY soap and water, then wipe dry with a clean cloth or towel.
- + DO NOT use steel wool or cleaning agents containing alcohol, acid, abrasives or the like.
- + Use of any prohibited cleaning or maintenance products or substances could damage the surface of the tap.
- + When cleaning bathroom tiles, the soap dispensers should be protected from any splattering of harsh cleansers.

All grades of stainless steel will stain or discolour if due care and attention is not taken. The surface must be regularly cleaned to ensure a long service life of the soap dispenser.

Use a soft cloth or sponge with a mild solution of soapy water as part of the regular washroom janitorial routine. Do not use abrasive or cream cleaners as these will damage the surface finish.

If further information is required, contact The Splash Lab technical team for more detailed stainless steel care guidelines.

soap

A good quality liquid soap of viscosity 100 – 3800 cPs units should be used. Hand cleaners containing abrasive particles should not be used as this will cause damage to the pump mechanism. The dispenser mechanism is not compatible with alcohol gels or hand sanitisers.

maintenance

Occasionally purge the dispenser by pumping warm water (hand warm) through the unit. This will remove any congealed soap.

refilling

Single feed reservoir

1. Unscrew the reservoir from the connector cap.
2. Fill the reservoir with liquid soap of viscosity in the range 100 – 3800 cPs.
3. Screw reservoir onto the connector,
4. Pump the dispenser head until soap is dispensed from the spout.

Multi-feed pipe system

1. Remove the support clips and pipes from the neck of the soap reservoir,
2. Fill reservoir with soap until desired level is reached.
3. Replace the feed pipes in the reservoir, ensuring the ends of the soap pipes are beneath the surface of the soap.
4. Alternatively, the feed pipes can be inserted into a replacement container of soap.
5. Pump the dispenser head until soap is dispensed from the spout

The level of soap in the reservoirs should be checked regularly to ensure the soap feed pipes are always dipped into the soap. If it does happen that the soap level is allowed to fall below the minimum required, there will be an airlock introduced into the pipe, which will then need to be re-primed. Priming of the system is achieved by depressing the pump until soap is dispensed consistently.

THE SOAP DISPENSERS CONTAIN NO USER-SERVICABLE PARTS.

warranty

The Splash lab will replace necessary parts, free of charge, if they are defective from the manufacturer. The Splash Lab guarantees all of its products against manufacturing defects under the terms and conditions listed below

Faucets TSL backs every faucet with a lifetime guarantee against material defect.

Not Covered

- Components subject to wear and tear.
- Items or parts that are damaged or not working properly due to misuse, negligence or improper maintenance.
- Improper installation or installation by a non-licensed technician.
- Failure from external causes such as physical damage; exposure to adverse or hazardous chemicals or other substances; use of reactive cleaning agents and/or harsh chemicals, or acts of nature.
- Stains on natural finishes, such as brass or stainless steel, that have been exposed to the natural environment or improperly maintained.
- Parts that have been modified.
- Moving parts installed in high-traffic areas. The Splash Lab offers customized warranty options for high-traffic areas; please contact TSL for details.
- Installation of replacement parts or labor costs.

Installation Requirements

This product must be installed by licensed technicians following the steps in the instruction guide provided. Altering or modifying any components of any product will void the manufacturer's warranty. If the recommended pressure and temperature are exceeded or reduced, the warranty is voided.

Maintenance Requirements

Never use abrasive sponges or products with abrasive substances such as chloride acid, ammonia, acetone, vinegar or, bleach. The usage of these products can cause permanent damage and will void the manufacturer's warranty.

If You Have a Claim

Defective products must be sent, shipping prepaid, to The Splash Lab with a copy of this warranty document and the purchase invoice included. Replacement products will be sent, shipping prepaid, to the address provided. If the cost of the replacement parts exceeds the purchase price of the product(s) the Splash Lab will reimburse the cost of the original items.

contact



General information

info.usa@thesplashlab.com

310 410 5008

20809 Higgins Ct

Torrance, CA 90501

Technical support

info.usa@thesplashlab.com

For further information visit:

www.thesplashlab.com/usa