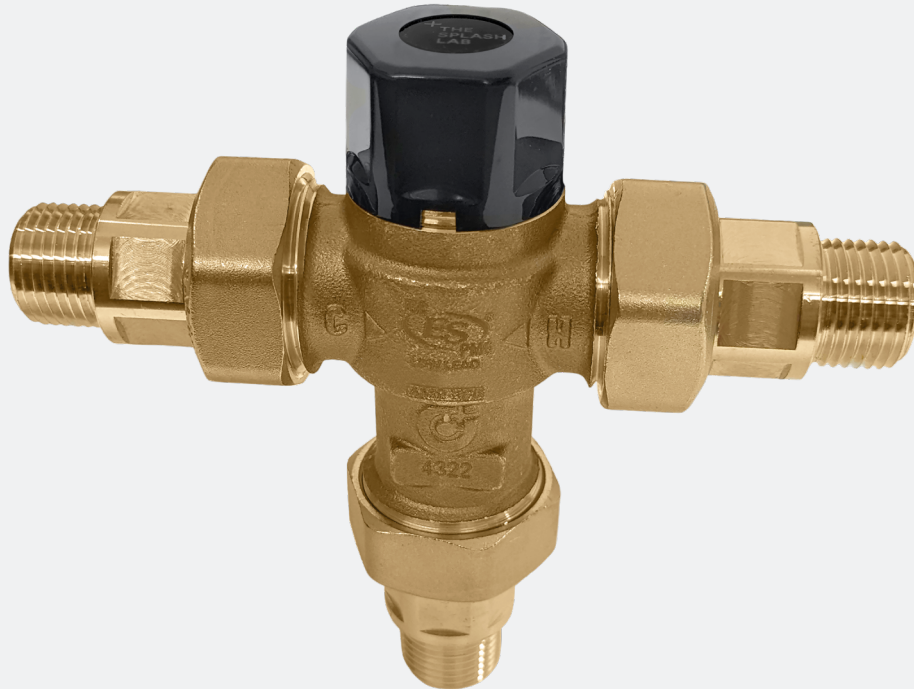


# Thermostatic Mixing Valve

TSLP.120045

The Thermostatic Mixing Valve (TMV) prevents the flow of water from a mixed water outlet in the event of the failure of hot or cold supply, protecting the user from the danger of scalding. Compatible with all TSL faucets.



**Composition**

Valve body and regulating spindle	Low-lead brass
Shutter, seat, and slide guides	PPO
Springs	Stainless steel
Seals	Peroxide-cured EPDM
Cover	ABS

**Technical specifications**

Temperature adjustment range	85-120°F
Temperature set	Must be commissioned onsite to achieve desired temperature
Temperature stability	±3°F
Cold inlet temperature	Minimum 39°F; maximum 85°F
Hot inlet temperature	Minimum 120°F; maximum 185°F
Maximum working differential pressure	Static 150 psi; dynamic 70 psi
Minimum working differential pressure (dynamic)	1.5 psi
Maximum unbalanced dynamic supply	6:1
Minimum temperature differential (hot/mixed)	18°F to ensure thermal shutoff function
Minimum temperature differential (cold/mixed)	9°F to ensure stable operation
Minimum flow rate	0.5 GPM
Maximum flow rate	9 GPM
Outlet temperature guage	2" diameter Dual-scale 30°F-210°F Accuracy 1% full scale

**Certifications**

ASSE 1070/CSA B125.3-2012, certified by ICC-ES, file PMG-1357.

NSF/ANSI/CAN, Drinking Water Systems Components-Lead Content Reduction of Lead in Drinking Water, California Health and Safety Code 116875 S.3874, Reduction of Lead in Drinking Water Act, certified by ICC-ES,files PMG-1360

### Included

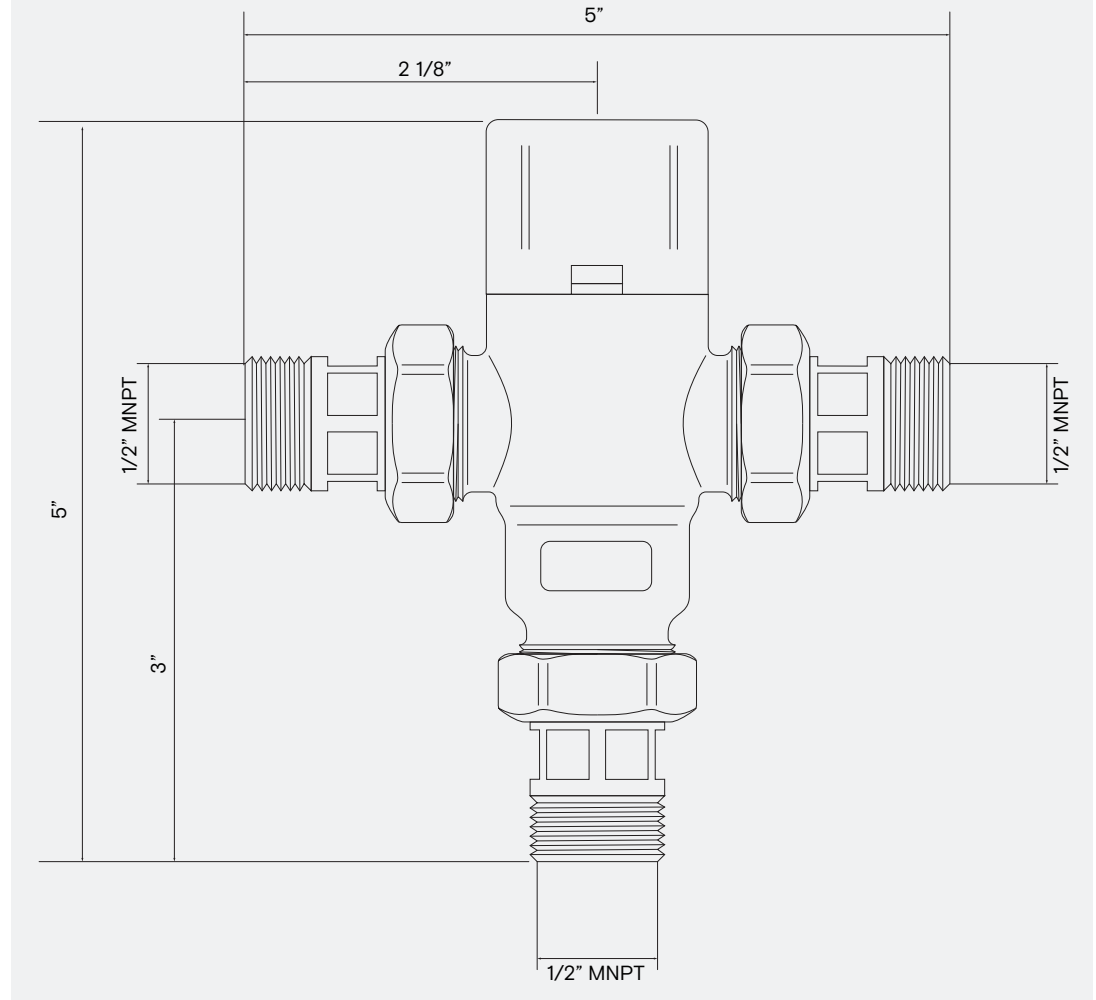
Valve

Temperature adjustment cap

### Warranty

1 year limited warranty

### + Technical drawing



### Spare parts

For warranty terms and conditions please visit [www.thesplashlab.com](http://www.thesplashlab.com)

If spare parts are required please contact us at [info.usa@thesplashlab.com](mailto:info.usa@thesplashlab.com)

### Related products



Radius Sensor Faucet  
TSL.882



The Ribbon Faucet  
TSL.R.020



The Channel Faucet  
TSL.C.050



Straigh Spout Faucet / Large  
TSL.940